



FEATURES/BENEFITS

ULTRA KLEEN

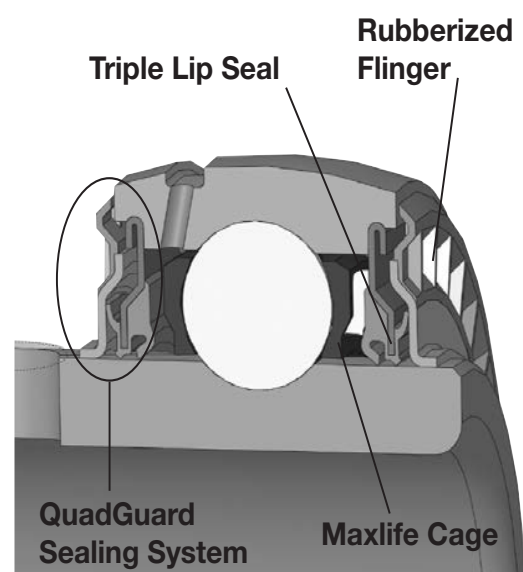
Polymer and Stainless Steel Housed Mounted Bearings

Insert: The Dodge ULTRA KLEEN features inserts made of 100% stainless steel and includes set screws positioned at 65 degree angles to provide maximum locking force without compromising inner ring strength. The inserts each include a stainless anti-rotation pin to prevent insert rotation in the housing under load which may cause premature bearing failure. Stainless inserts eliminate the possibility of contamination due to chipping and flaking, commonly found in inserts which are coated with zinc or thin-dense chrome.

Sealing: Retaining lubrication and preventing contamination from entering the bearing is critical in harsh environments. That is why Dodge has developed the premium QuadGuard® sealing system for maximum sealing effectiveness under these conditions. The seal includes two patented features unique to Dodge bearings; these features are standard on the ULTRA KLEEN product. The first is a triple-lip seal designed to maximize sealing and produce less drag than other multi-lip seals. The Dodge patented triple-lip design uses a mechanically retained seal with two contact points on the inner ring and one contact point riding against the flinger surface. Three points of contact maximize the ability of the seal to guard against contamination and to retain lubricants. The QuadGuard seal incorporates the industry's first (and only) patented rubberized flinger. This flinger uses

molded rubber to provide additional protection from contaminants

entering the bearing. The baffle design of the rubber on the external surface of the flinger enhances the removal of liquid as the flinger rotates. Grease chambers on the internal surface prevent lubricants from exiting the bearing during operation while allowing purging during re-lubrication. This superior design will increase service life in dirty environments thus leading to extended up-time for our customers. When used in conjunction with one another, the triple-lip seal and rubberized flinger create a sealing system that is ideal for demanding environments.



Retainer: The Maxlife® Cage is the product of extensive research and development in retainer technology and industry leading engineering. The cage features a two-piece design that creates a grease compartment around each of the rolling elements. These compartments allow balls to be constantly in contact with grease, so a good oil film will always exist to prevent wear and minimize friction and heat. The Maxlife cage reduces the relative motion between bearing components and grease which results in lower operating temperatures and extended life. The compartmental construction of the cage tends to hold in the grease and prevent it from being washed out in extremely wet or dirty conditions. This feature allows the bearing to be re-lubricated with less frequency than standard designs require, while extending bearing life.

Lubrication: 100% filled with H1, food grade grease

Note: Instruction manuals and drawings for Dodge bearings are available on www.dodge-pt.com



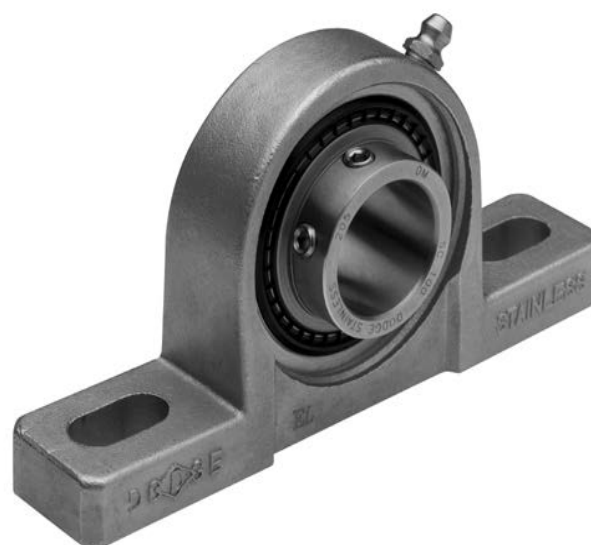
FEATURES/BENEFITS

ULTRA KLEEN

Polymer and Stainless Steel Housed Mounted Bearings

Housings: The ULTRA KLEEN is available in a wide variety of both polymer and stainless housing designs.

- Polymer
 - 204 to 210 Series (3/4" bore to 2", 20mm to 50mm)
 - Pillow Block
 - Two-Bolt Flange
 - Four-Bolt Flange
 - 204 to 207 Series (3/4" bore to 1-7/16", 20mm to 50mm)
 - Tapped Base
 - Flange Bracket
 - Wide Slot Take-Up
 - Solid cross-section base housings
 - No core cavities to trap contaminants
 - Anti-Microbial agent retards bacterial and fungal growth
 - All stainless hardware and fittings
 - Housing strength exceeds bearing static capacity
 - End covers available
- Stainless
 - 204 to 208, 210 Series
 - Pillow Block
 - Two-Bolt Flange
 - Four-Bolt Flange
 - Narrow Slot Take-Up (204 - 207 only)
 - Wide Slot Take-Up (204 - 207 only)
 - Tapped Base
 - Flange Bracket (no 208, 209)
 - 204-207 Series
 - Light Duty Two-Bolt Flange, LFT
 - Light Duty Three-bolt Flange, LF
 - 300 Series stainless steel casting
 - End covers available



End Covers

All Dodge E-Z KLEEN and ULTRA KLEEN bearings include a housing groove to accept a snap-on polymer end cover. These durable covers are easy to install and each is provided with a drain hole to prevent moisture from collecting inside the cover. The snap-on style of end cover incorporates an additional lip on the mounting surface for a rigid fit within the housing. This tight fit creates a better seal prevents movement of the cover during operation and high-pressure cleaning. Dodge snap-on end covers provide positive sealing in wet environments and create safer working conditions by enclosing rotating shafts.

Note: Instruction manuals and drawings for Dodge bearings are available on www.dodge-pt.com



FEATURES/BENEFITS

ULTRA KLEEN-SC

ULTRA KLEEN-SC	End-Cover Capability		Sealing		Retainer
	End-Cover Groove	Snap-On End Cover	Triple-Lip Seal	Stainless Rubberized Flinger	Maxlife Cage
Standard Features	X	X	X	X	X

Housing Capability Stainless							
Housing Style	204	205	206	207	208	209	210
P2B	X	X	X	X	X		X
F2B	X	X	X	X	X		X
F4B	X	X	X	X	X		X
FB	X	X	X	X			X
TB	X	X	X	X	X		X
NSTU	X	X	X	X	X		X
WSTU	X	X	X	X	X		X
LF	X	X	X	X			
LFT	X	X	X	X			

Housing Capability Polymer							
Housing Style	204	205	206	207	208	209	210
P2B	X	X	X	X	X	X	X
F2B	X	X	X	X	X	X	X
F4B	X	X	X	X	X	X	X
FB	X	X	X	X			
TB	X	X	X	X			
NSTU							
WSTU	X	X	X	X			
LF							
LFT							

Note: Instruction manuals and drawings for Dodge bearings are available on www.dodge-pt.com